



SIGEVAL, S.A.

BUTTERFLY VALVES

Type "FL(w)"



UNE-EN-ISO 9001



0099

Technical Information

Technical Catalogue
2006 (Ed.01)



* This Technical Information is property of SIGEVAL,S.A. and must not be used or copied without their specific written consent.

** Specifications are subject to change without notice.



SIGEVAL, S.A.

BUTTERFLY VALVES

TECHNICAL CATALOGUE



UNE-EN-ISO 9001



0099

Technical Information

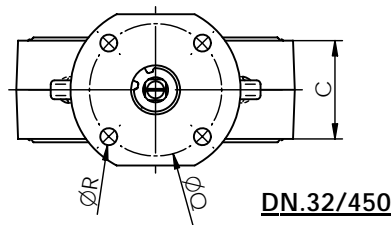
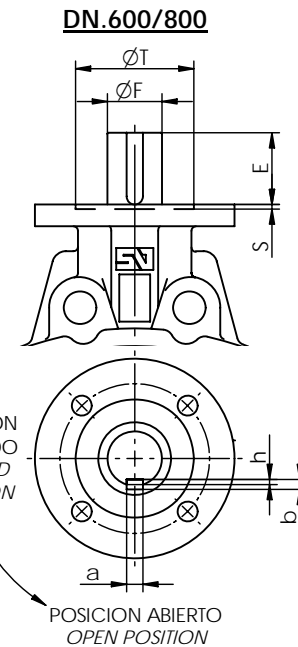
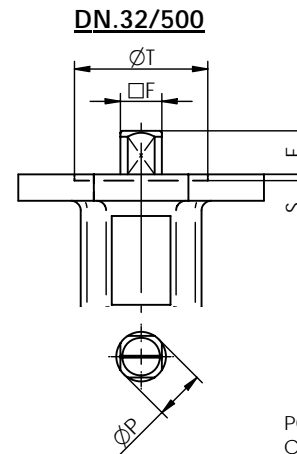
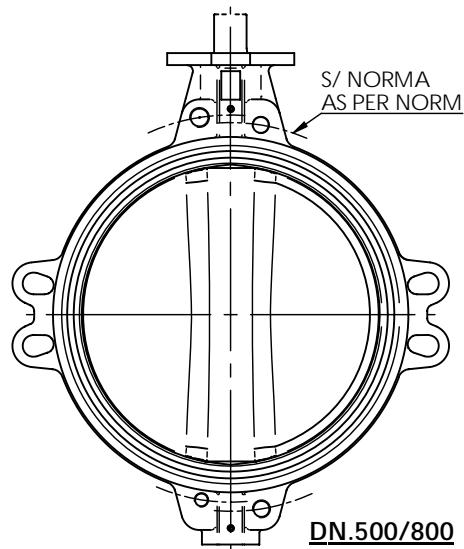
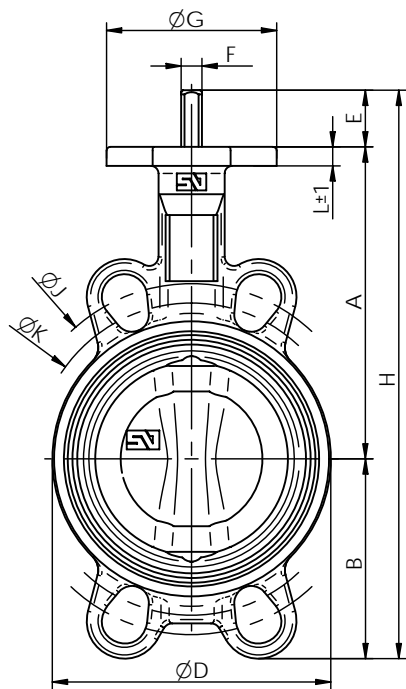
Technical Catalogue
2006 (Ed.01)

5.1 FL(w) TYPE

Designation:

Technical sheet N°:

- | | |
|--|----------------|
| • FL(w) valve general dimensions. | FL(w)-001- DT |
| • FL(w) valve operation by manuals actuators. | FL(w) -002- DT |
| • FL(w) valve operation by automatics actuators. | FL(w) -003- DT |
| • FL(w) valve flange assembling. | FL(w) -004- DT |
| • FL(w) valve assembling screwing. | FL(w) -005- DT |
| • FL(w) valve materials detail DN 32/200. | FL(w) -010- DT |
| • FL(w) valve materials detail DN 250/500. | FL(w) -011- DT |
| • FL(w) valve materials detail DN 600/800. | FL(w) -012- DT |



DN		DIMENSIONES GENERALES / GENERAL DIMENSIONS											CABEZA / HEAD								
mm	Pulg Inch	A	B	C	D	E	F	G	H	J	K	L	Peso Weight	ISO	P	Q	R	S	T	CHAVETA KEYWAY a x b h	
32	1¼"	102.5	60.2	33	68	30	11	90	192.7	100	85	8	1.5	F-07	13	70	4x9				
40	1½"	110	56	33	76	30	11	90	196	110	95	10	1.7	F-07	13	70	4x9				
50	2"	120	61.5	43	100	30	11	90	211.5	123	120.6	10	2.5	F-07	13	70	4x9				
65	2½"	135	69	46	108	30	11	90	234	145	127	10	2.6	F-07	13	70	4x9				
80	3"	141	94	46	124	30	11	90	265	160	145	10	3.1	F-07	13	70	4x9				
100	4"	165	106	52	147	30	11	90	301	185.5	165	10	3.9	F-07	13	70	4x9				
125	5"	180	126.5	56	180	33	14	90	339.5	225	206	12	6.1	F-07	17	70	4x9				
150	6"	193	133	56	206	33	14	90	359	241.3	229	12	7.1	F-07	17	70	4x9				
200	8"	225	170	60	257	33	17	90	428	305	280	12	10.8	F-07	20.3	70	4x9				
250	10"	282.5	210	68	324	23	22	130	515.5	362	335	14	20.8	F-10	26.2	102	4x12	3	70		
300	12"	308	240	78	376	23	22	130	571	431.8	394	14	31	F-10	26.2	102	4x12	3	70		
350	14"	338.5	263	78	430	31	22	160	632.5	476.3	445	15	35.6	F-10	28	102	4x12	3	70		
400	16"	380	308	102	485	31	27	160	719	540	510	18	55	F-12	33	125	4x14	4	85		
450	18"	380.5	340	114	536	38	36	190	758.5			20	78.3	F-14	48	140	4x18	4	100		
500	20"	432.5	380	127	593	38	36	210	850.5			20	121	F-14	48	140	4x18	4	100		
600	24"	494	479	154	720	79	60	220	1.052			24	184	F-16		165	4x22	5	130	18x11	7
700	28"	590	502	165	830	106	65	300	1.198			30	248	F-25		254	8x18	5	200	18x11	7
800	32"	630	585	190	926	106	80	300	1.321			28	408	F-25		254	8x18	5	200	22x14	9

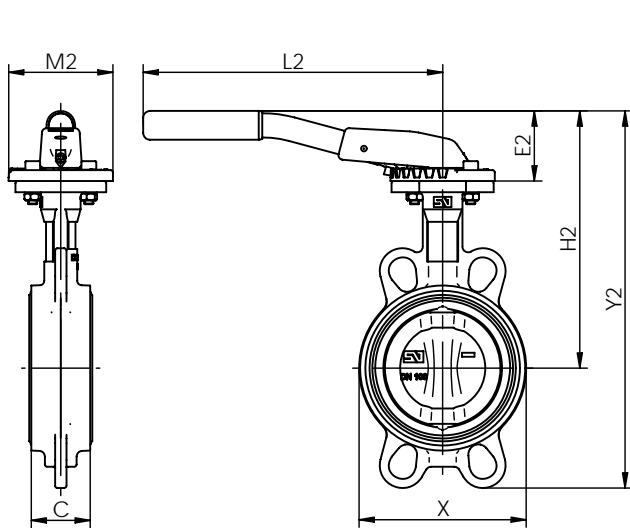


SIGEVAL,S.A

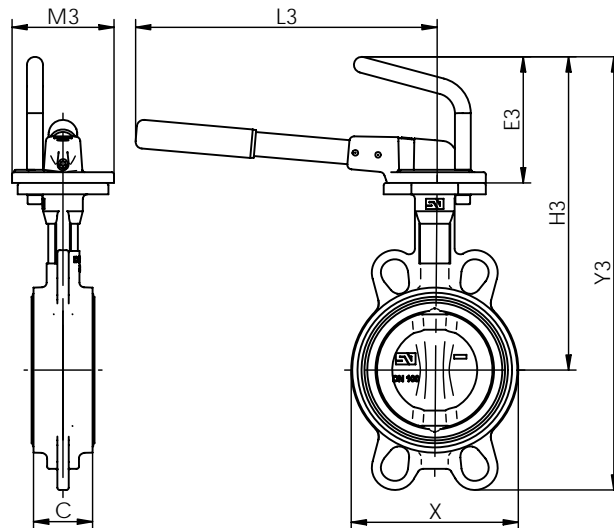
VALVULA DE MARIPOSA "FL(w)" / BUTTERFLY VALVE "FL(w)"
DIMENSIONES GENERALES / GENERAL DIMENSIONS

REVISION
02

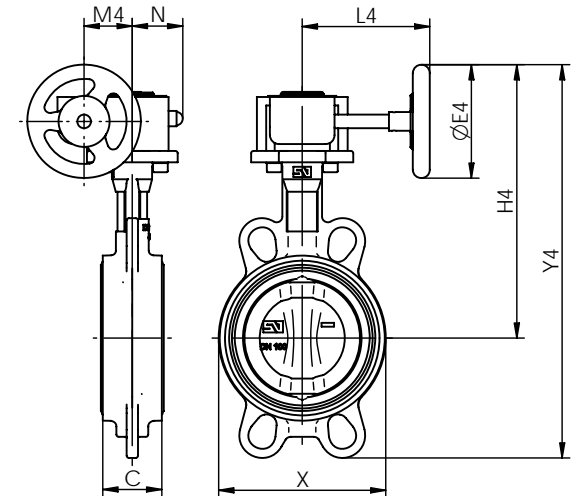
FICHA TECNICA N:
FL(w)-001-DT



"MN"



"MR"



"MDV"

DN		MN								MR						MDV							
Mn	Pulg	C	X	E2	H2	Y2	L2	M2	Kg	E3	H3	Y3	L3	M3	Kg	REF	E4	H4	Y4	L4	M4	N	Kg
32	1¼"	33	68	49	151	212	220	90	1.9	115	217	278	260	90	2.1	0	125	190	251	128	43.5	44.5	2.7
40	1½"	33	76	49	159	215	220	90	2.1	115	225	281	260	90	2.3	0	125	198	254	128	43.5	44.5	2.9
50	2"	43	100	49	169	230	220	90	2.9	115	235	296	260	90	3.1	0	125	208	269	128	43.5	44.5	3.7
65	2½"	46	108	49	184	253	220	90	3.0	115	250	319	260	90	3.2	0	125	223	292	128	43.5	44.5	3.8
80	3"	46	124	60	201	295	260	90	3.6	115	256	350	260	90	3.7	0	125	229	323	128	43.5	44.5	4.3
100	4"	52	147	60	225	331	260	90	4.4	115	280	386	260	90	4.5	0	125	253	359	128	43.5	44.5	5.1
125	5"	56	180	75	255	381	315	90	6.6	115	295	421	310	90	6.8	1	160	285	411	141	43.5	44.5	7.5
150	6"	56	206	75	268	401	315	90	7.6	115	308	441	310	90	7.8	1	160	298	431	141	43.5	44.5	8.5
200	8"	60	257	75	300	470	315	90	11.4	115	340	510	310	90	11.5	1A	200	355	525	152	52.5	53.5	13.4
250	10"	68	324							120	402	612	500	130	22.5	2	250	442	652	198	61	67	24.9
300	12"	78	376							120	428	668	500	130	32.7	2	250	468	708	198	61	67	35.1
350	14"	78	430							120	458	722	500	130	37.3	2	250	498	761	198	61	67	39.7
400	16"	102	485													2A	315	580	888	245	69	72.5	64.9
450	18"	114	536													3	400	630	970	274	96.5	91.5	98.3
500	20"	127	593													3	400	682	1062	274	96.5	91.5	142
600	24"	154	720													4	500	809	1288	416	137.5	140	219
700	28"	165	830													4	600	945	1447	416	137.5	140	283
800	32"	190	926													5	600	985	1570	448	137.5	140	480



SIGEVAL,S.A

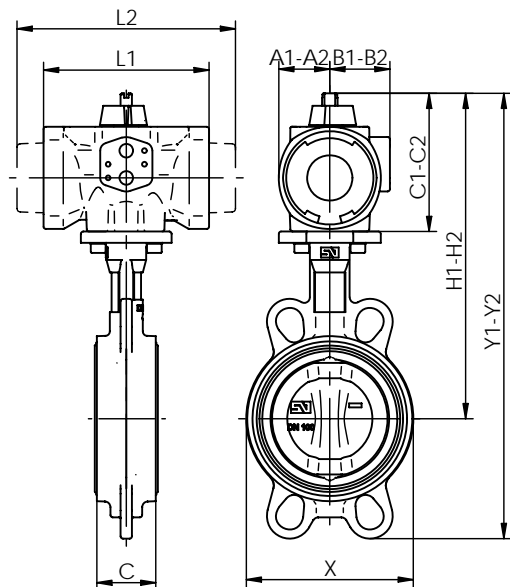
VALVULA DE MARIPOSA "FL(w)" / BUTTERFLY VALVE "FL(w)"
ACT. MANUAL / MANUAL ACT.

REVISION

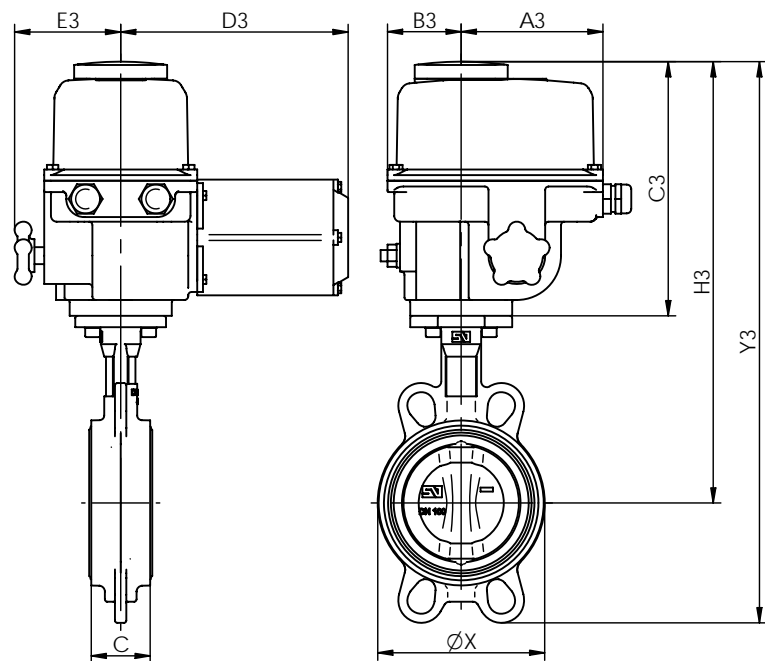
02

FICHA TECNICA N:

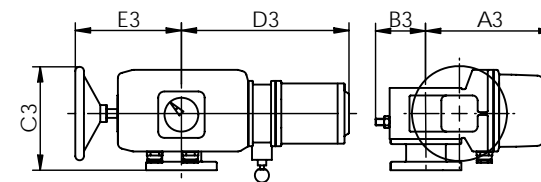
FL(w)-002-DT



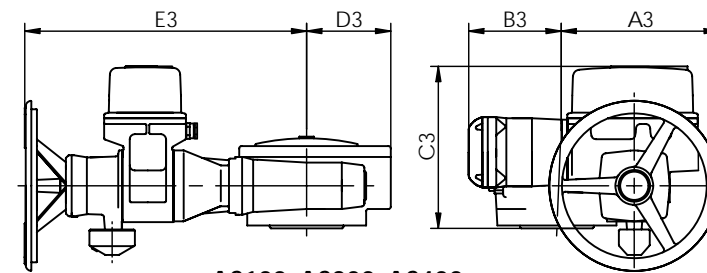
ACCIONAMIENTO NEUMATICO
PNEUMATIC ACTUATOR



OA6-OA8-OA15



ASP-AS50-AS80



AS100-AS200-AS400
ASM1 RS600-ASM2 RS1825

DN		DOBLE EFECTO - DOUBLE ACTING									SIMPLE EFECTO - SPRING RETURN								ACT. ELECTRICO - ELECTRIC ACT.									
mm	Pulg	C	X	REF	A1	B1	C1	H1	Y1	L1	Kg1	REF	A2	B2	C2	H2	Y2	L2	Kg2	REF	A3	B3	C3	D3	E3	H3	Y3	Kg3
32	1¼"	33	68	P00	36	44	129	231	291	125	2.5	P00S	36	44	129	231	291	160	2.8	OA6	125	65	224	202	90	337	387	7.5
40	1½"	33	76	P00	36	44	129	239	295	125	2.7	P00S	36	44	129	239	295	160	3.0	OA6	125	65	224	202	90	334	390	7.7
50	2"	43	100	P00	36	44	129	249	310	125	3.5	P00S	36	44	129	239	310	160	3.8	OA6	125	65	224	202	90	344	405	8.5
65	2½"	46	108	P05	45	53	122	257	326	146	4.1	P05S	45	53	122	257	326	194	4.9	OA6	125	65	224	202	90	359	428	8.6
80	3"	46	124	P05	45	53	122	263	357	146	4.6	P10S	47	55	127	268	362	236	5.7	OA6	125	65	224	202	90	365	459	9.1
100	4"	52	147	P05	45	53	122	287	393	146	5.4	P15S	55	60	148	313	419	266	7.9	OA6	125	65	224	202	90	389	495	9.9
125	5"	56	180	P10	47	55	127	307	434	182	7.9	P20S	60	67	161	341	467	312	11.9	OA8	125	65	224	202	90	404	530	13.1
150	6"	56	206	P15	55	60	148	341	474	203	9.7	P25S	74	78	191	384	517	362	16.3	OA15	125	65	224	260	98	417	550	14.1
200	8"	60	257	P20	60	67	161	386	556	234	14.4	P30S	82	94	211	436	606	479	26.8	OA15	125	65	224	260	98	449	619	17.8
250	10"	68	324	P25	74	78	191	473	683	276	26.7	P40S	106	120	292	574	784	598	57.2	ASP	89	226	177	167	340	459	669	38.8
300	12"	78	376	P30	83	94	211	519	759	349	40.1	P40S	106	120	292	600	840	598	67.4	AS50	89	226	177	169	340	485	725	48
350	14"	78	430	P40	106	120	272	610	873	444	53.2	P40S	106	120	272	610	873	598	72	AS80	89	226	208	169	340	546	809	53.6
400	16"	102	485	P40	106	120	272	652	960	444	73	P50S	122	135	383	763	1071	694	113	AS100	206	236	230	114	405	610	918	91
450	18"	114	536	P50	122	135	313	693	1033	524	109									AS200	109	333	281	188	475	661	1001	146
500	20"	127	593	P50	122	135	313	745	1125	524	152									AS200	109	333	281	188	475	713	1093	189
600	24"	154	720																	AS400	154	338	281	148	497	775	1254	254
700	28"	165	830																	ASM1	192	250	314	212	567	904	1406	321
800	32"	190	926																	ASM2	197	265	343	237	712	973	1558	526



SIGEVAL,S.A

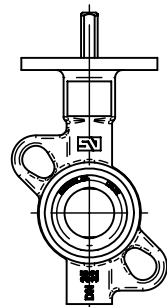
VALVULA MARIPOSA "FL(w)" / BUTTERFLY VALVE "FL(w)"
ACTO. AUTOMATICO / AUTOMATIC ACT.

REVISION

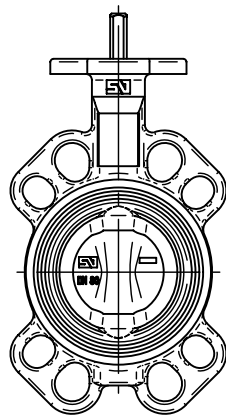
02

FICHA TECNICA N:

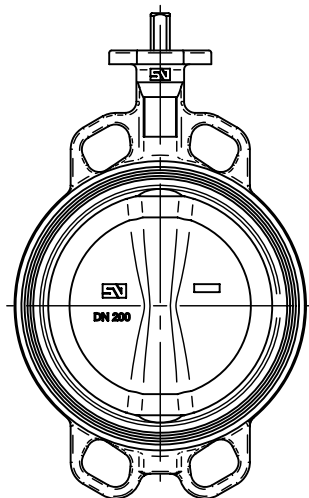
FL(w)-003-DT



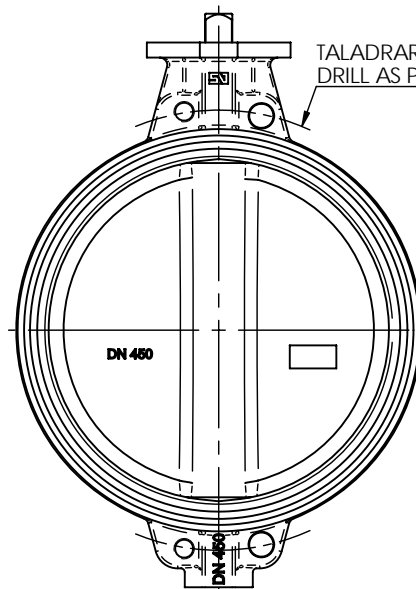
DN.32



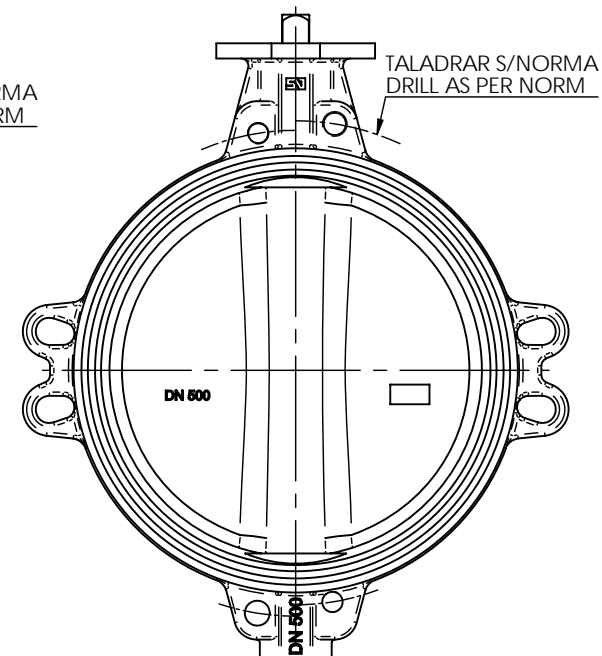
DN.80



DN.40/400



DN.450



DN.500/800

POSIBILIDADES DE MONTAJE S/NORMAS DE BRIDAS / POSSIBILITIES ASSEMBLY ACCORDING NORMS OF FLANGES

DN	32	40	50	65	80	100	125	150	200	250	300	350	400	450	500	600	700	800
PN.6	X	X	O	X	X	X	X	X	X	X	X	X	O	O	O	-	-	-
PN.10	X	X	X	X	X	X	X	X	X	X	X	X	X	X	X	X	X	X
PN.16	X	X	X	X	X	X	X	X	X	X	X	X	X	X	X	X	X	X
ASA 150 Lbs	X	X	X	X	X	X	X	X	X	X	X	X	X	X	X	X	X	X
JIS 5k	X	X	-	X	X	X	X	X	X	X	X	-	O	O	O	O	O	-
JIS 10k	X	X	X	X	X	X	X	X	X	X	O	X	X	X	X	O	X	X
JIS 16k	X	X	O	O	X	X	X	O	X	O	O	O	X	-	X	O	O	X
BS, D	-	X	O	X	X	X	X	X	X	O	X	X	O	O	O	O	-	-
BS, E	-	X	O	X	X	X	X	X	X	X	X	X	O	X	O	O	-	-

X ESTANDARD / STANDARD
 O BAJO DEMANDA / ON REQUEST
 -- NO POSIBLE / NOT POSSIBLE



SIGEVAL, S.A

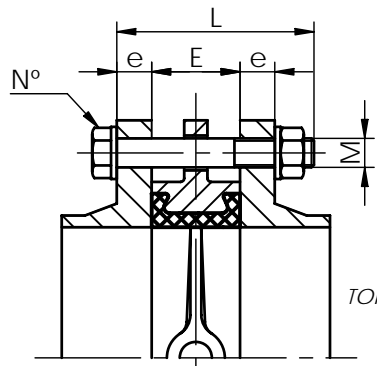
VALVULA DE MARIPOSA "FL(w)" / BUTTERFLY VALVE "FL(w)"
BRIDAS DE MONTAJE / ASSEMBLY FLANGES

REVISION

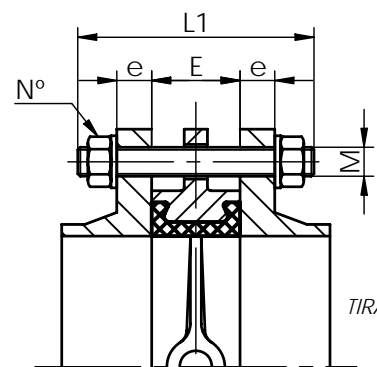
02

FICHA TECNICA N:

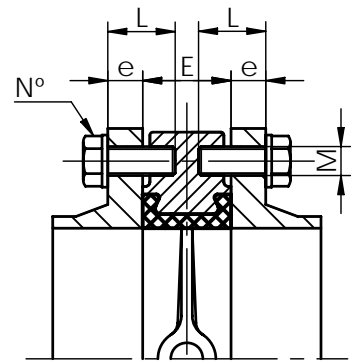
FL(w)-004-DT



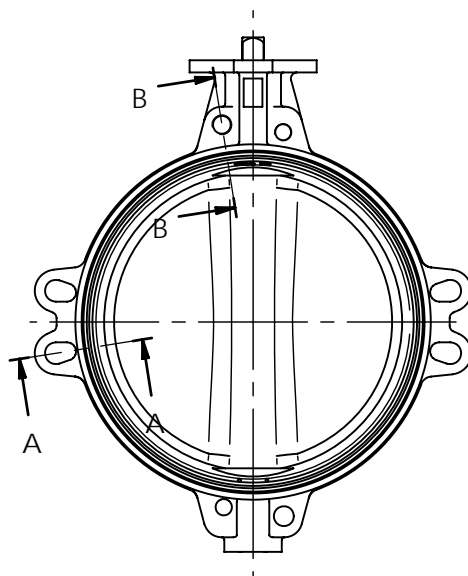
"A-A"
TORNILLO / SCREW



"A-A"
TIRANTE / LINK



"B-B"
TORNILLO SOLO /
SCREW ONLY



DN.450 PN.10 - PN.16
 DN.500 ASA 150 Lbs
 DN.700 PN.10 - PN.16 - ASA 125 Lbs
 DN.800 PN.10 - PN.16 - ASA 125 Lbs

DN	E	PN.10					PN.16					ASA 150 Lbs				
		e	M	L	L1	N°	e	M	L	L1	N°	e	M	L	L1	N°
32	33	16	M16	90	110	4	16	M16	90	110	4	117.5	W 1/2"	90	110	4
40	33	16	M16	90	110	4	16	M16	90	110	4	17.5	W 1/2"	90	110	4
50	43	18	M16	100	120	4	18	M16	100	120	4	19	W 5/8"	100	120	4
65	46	18	M16	100	120	4	18	M16	100	120	4	22.2	W 5/8"	110	130	4
80	46	20	M16	110	130	8	20	M16	110	130	8	23.8	W 5/8"	110	130	4
100	52	20	M16	110	130	8	20	M16	110	130	8	23.8	W 5/8"	120	140	8
125	56	22	M16	120	140	8	22	M16	120	140	8	23.8	W 3/4"	130	150	8
150	56	22	M20	130	150	8	22	M20	130	150	8	25.4	W 3/4"	130	150	8
200	60	24	M20	130	160	8	24	M20	130	160	12	28.6	W 3/4"	140	160	8
250	68	26	M20	150	170	12	26	M24	150	170	12	30.2	W 7/8"	160	180	12
300	78	26	M20	160	180	12	28	M24	160	180	12	31.7	W 7/8"	170	190	12
350	78	26	M20	170	180	16	30	M24	170	190	16	34.9	W 1"	180	200	12
400	102	26	M24	180	210	16	32	M27	200	220	16	36.5	W 1"	210	230	16
450	114	26	M24	190	220	16	32	M27	210	240	16	39.7	W1 1/8"	230	250	16
			M24	60		8		M27	60		8					
500	127	28	M24	210	230	20	34	M30	230	260	20	46	W1 1/8"	250	280	16
													W1 1/8"	90		8
600	154	28	M27	240	270	20	36	M33	260	290	20	47.6	W1 1/4"	280	310	20
		30	M27	80		8		M33	85		8		W1 1/4"	110		8
700	165											52.5	W1 1/4"	310	340	24
													W1 1/4"	110		8
800	193	32	M30	290	320	20	50	M36	330	360	20	57	W1 1/2"	340	380	24
			M30	80		8		M36	100		8		W1 1/2"	95		8



SIGEVAL,S.A

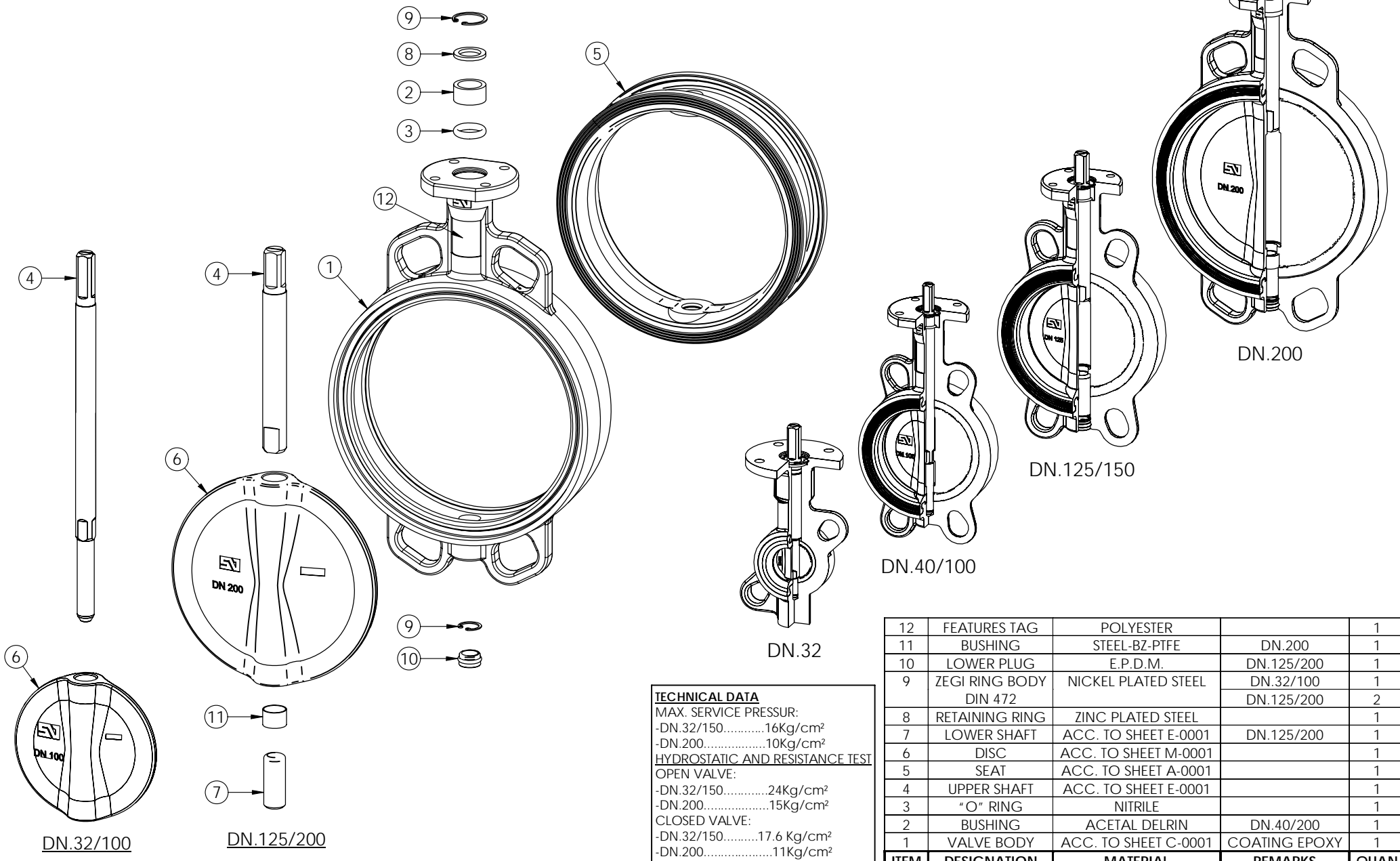
VALVULA DE MARIPOSA "FL(w)" / BUTTERFLY VALVE "FL(w)"
TORNILLERIA DE MONTAJE / ASSEMBLYING SCREWING

REVISION

02

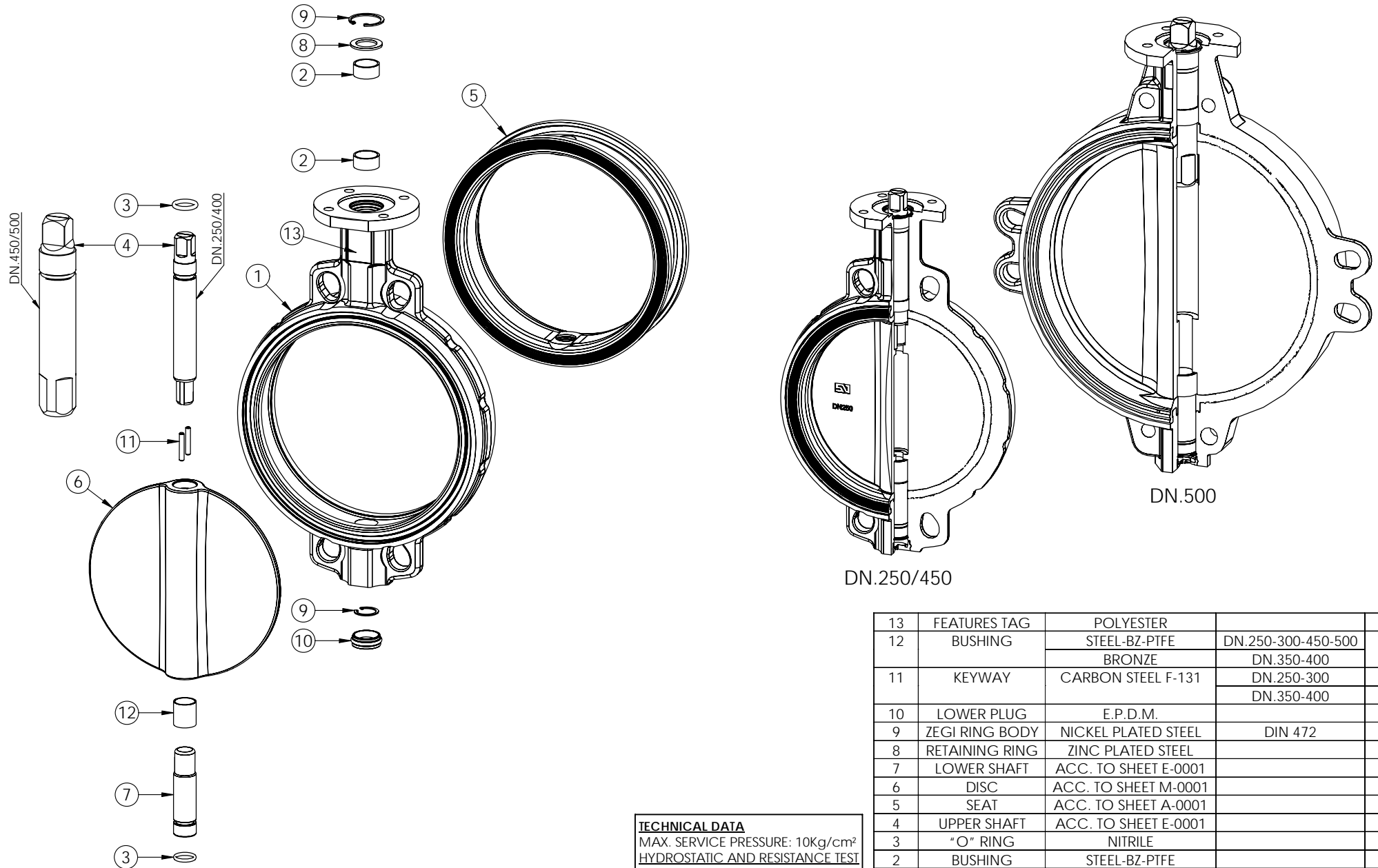
FICHA TECNICA N:

FL(w)-005-DT



TECHNICAL DATA
 MAX. SERVICE PRESSUR:
 -DN.32/150.....16Kg/cm²
 -DN.200.....10Kg/cm²
 HYDROSTATIC AND RESISTANCE TEST
 OPEN VALVE:
 -DN.32/150.....24Kg/cm²
 -DN.200.....15Kg/cm²
 CLOSED VALVE:
 -DN.32/150.....17.6 Kg/cm²
 -DN.200.....11Kg/cm²

12	FEATURES TAG	POLYESTER		1
11	BUSHING	STEEL-BZ-PTFE	DN.200	1
10	LOWER PLUG	E.P.D.M.	DN.125/200	1
9	ZEGI RING BODY DIN 472	NICKEL PLATED STEEL	DN.32/100	1
			DN.125/200	2
8	RETAINING RING	ZINC PLATED STEEL		1
7	LOWER SHAFT	ACC. TO SHEET E-0001	DN.125/200	1
6	DISC	ACC. TO SHEET M-0001		1
5	SEAT	ACC. TO SHEET A-0001		1
4	UPPER SHAFT	ACC. TO SHEET E-0001		1
3	"O" RING	NITRILE		1
2	BUSHING	ACETAL DELRIN	DN.40/200	1
1	VALVE BODY	ACC. TO SHEET C-0001	COATING EPOXY	1
ITEM	DESIGNATION	MATERIAL	REMARKS	QUAN



TECHNICAL DATA
 MAX. SERVICE PRESSURE: 10Kg/cm²
 HYDROSTATIC AND RESISTANCE TEST
 OPEN VALVE: 15Kg/cm²
 CLOSED VALVE: 11 Kg/cm²

13	FEATURES TAG	POLYESTER		1
12	BUSHING	STEEL-BZ-PTFE	DN.250-300-450-500	1
		BRONZE	DN.350-400	
11	KEYWAY	CARBON STEEL F-131	DN.250-300	2
			DN.350-400	4
10	LOWER PLUG	E.P.D.M.		1
9	ZEGI RING BODY	NICKEL PLATED STEEL	DIN 472	2
8	RETAINING RING	ZINC PLATED STEEL		1
7	LOWER SHAFT	ACC. TO SHEET E-0001		1
6	DISC	ACC. TO SHEET M-0001		1
5	SEAT	ACC. TO SHEET A-0001		1
4	UPPER SHAFT	ACC. TO SHEET E-0001		1
3	"O" RING	NITRILE		2
2	BUSHING	STEEL-BZ-PTFE		2
1	VALVE BODY	ACC. TO SHEET C-0001	COATING EPOXY	1
ITEM	DESIGNATION	MATERIAL	REMARKS	QUAN



SIGEVAL S.A.

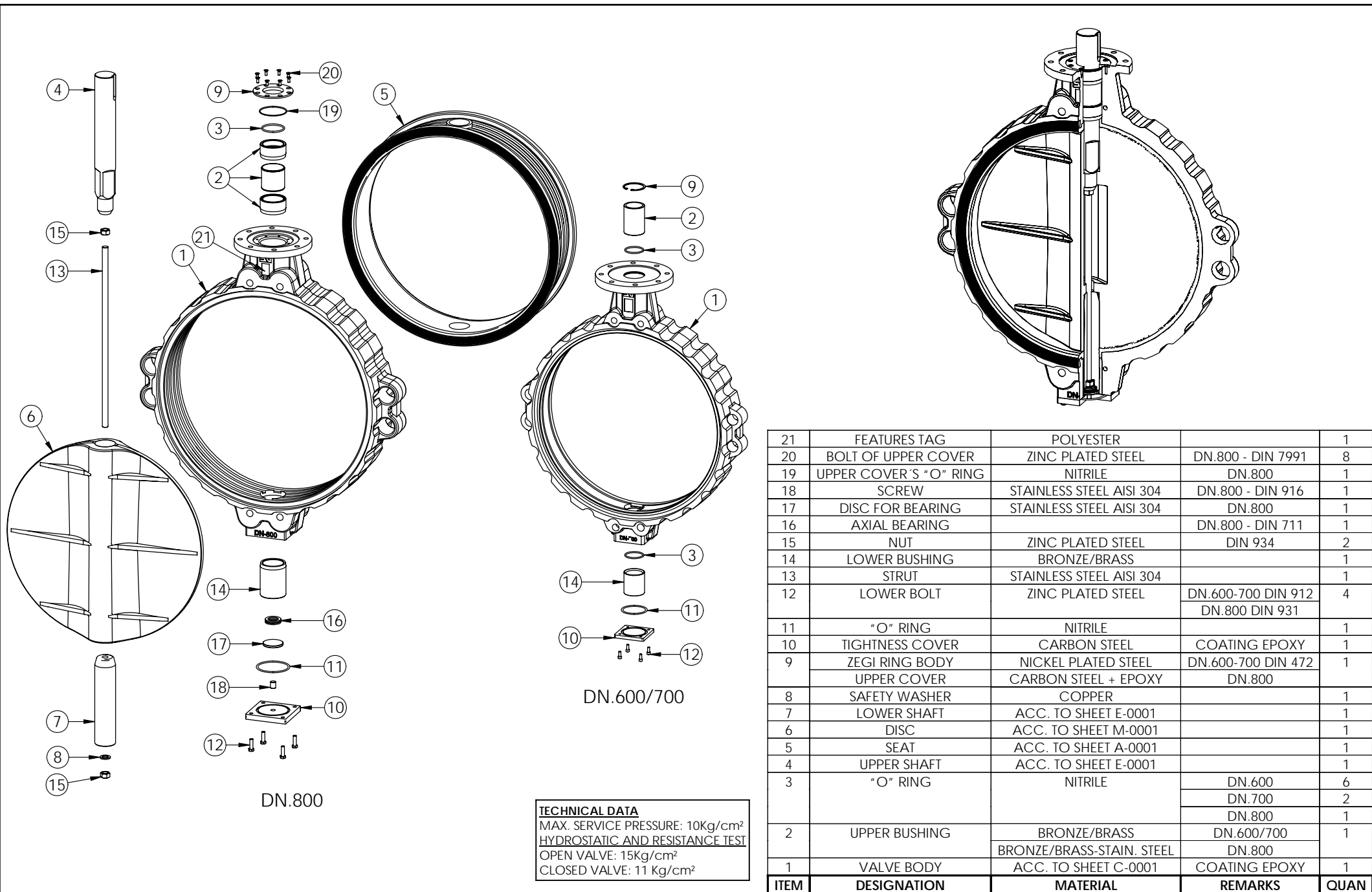
**BUTTERFLY VALVE "FL(w)" TYPE
 DN.250/500. MATERIALS DETAIL**

REVISION

02

TECHNICAL SHEET:

FL(w)-011-DT



21	FEATURES TAG	POLYESTER		1
20	BOLT OF UPPER COVER	ZINC PLATED STEEL	DN.800 - DIN 7991	8
19	UPPER COVER'S "O" RING	NITRILE	DN.800	1
18	SCREW	STAINLESS STEEL AISI 304	DN.800 - DIN 916	1
17	DISC FOR BEARING	STAINLESS STEEL AISI 304	DN.800	1
16	AXIAL BEARING		DN.800 - DIN 711	1
15	NUT	ZINC PLATED STEEL	DIN 934	2
14	LOWER BUSHING	BRONZE/BRASS		1
13	STRUT	STAINLESS STEEL AISI 304		1
12	LOWER BOLT	ZINC PLATED STEEL	DN.600-700 DIN 912 DN.800 DIN 931	4
11	"O" RING	NITRILE		1
10	TIGHTNESS COVER	CARBON STEEL	COATING EPOXY	1
9	ZEGI RING BODY	NICKEL PLATED STEEL	DN.600-700 DIN 472	1
	UPPER COVER	CARBON STEEL + EPOXY	DN.800	
8	SAFETY WASHER	COPPER		1
7	LOWER SHAFT	ACC. TO SHEET E-0001		1
6	DISC	ACC. TO SHEET M-0001		1
5	SEAT	ACC. TO SHEET A-0001		1
4	UPPER SHAFT	ACC. TO SHEET E-0001		1
3	"O" RING	NITRILE	DN.600 DN.700 DN.800	6 2 1
2	UPPER BUSHING	BRONZE/BRASS BRONZE/BRASS-STAIN. STEEL	DN.600/700 DN.800	1
1	VALVE BODY	ACC. TO SHEET C-0001	COATING EPOXY	1
ITEM	DESIGNATION	MATERIAL	REMARKS	QUAN